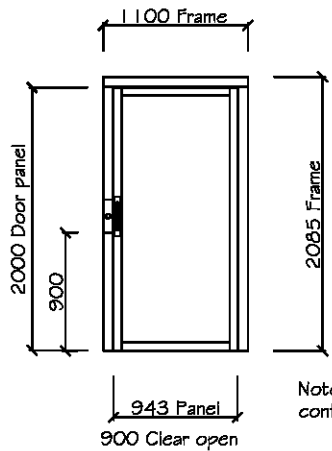
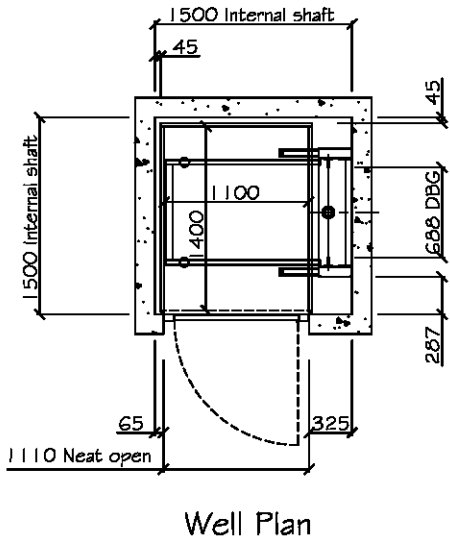
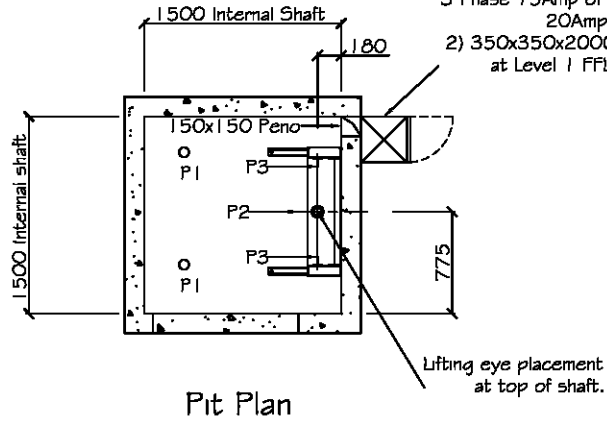
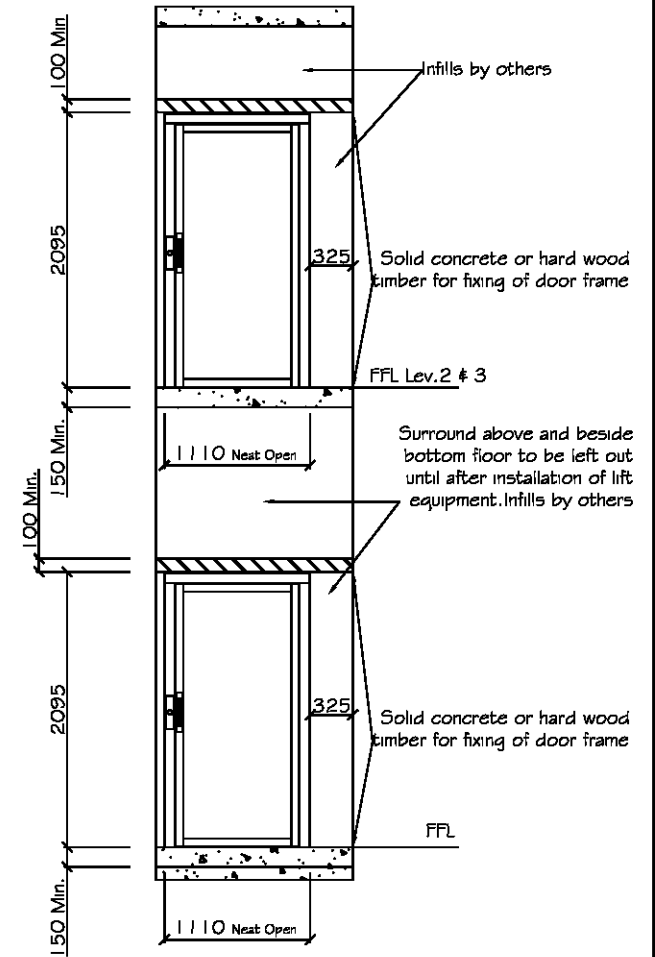
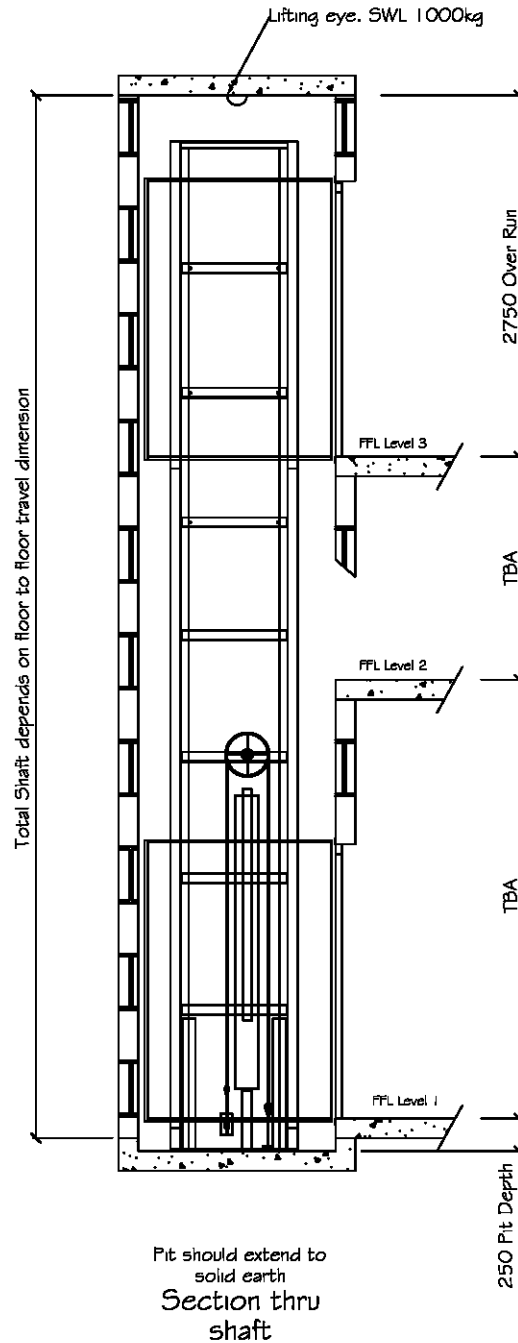


Controller.

- 1) Power & Telephone termination.
- 3 Phase 15Amp or Single Phase 20Amp, (By Others)
- 2) 350x350x2000mm Cabinet, at Level 1 FFL.(By Harwel).



Note: Door construction and style to be confirmed at time of purchase.



Pit should extend to solid earth

	REACTIONS	
	STATIC	DYNAMIC
P1	1400 kg	
P2	900 kg	1800 kg
P3	600 kg	

RIGHT HAND UNIT / PART 1 G

Scale	N.T.S.	Remarks
Date	1/03/09	
Issue	0	

Tolerances to be -0/+10mm
350kg SWL Roped Hydro

HARWEL LIFTS PTY LTD	
Layout Drawing for GENERIC LAYOUT 3 FLR NOT FOR INSTALLATION!	Drawing No A3-PT1G-3
Date: 19/03/09	Drawn by: K.S. Checked: Approved: