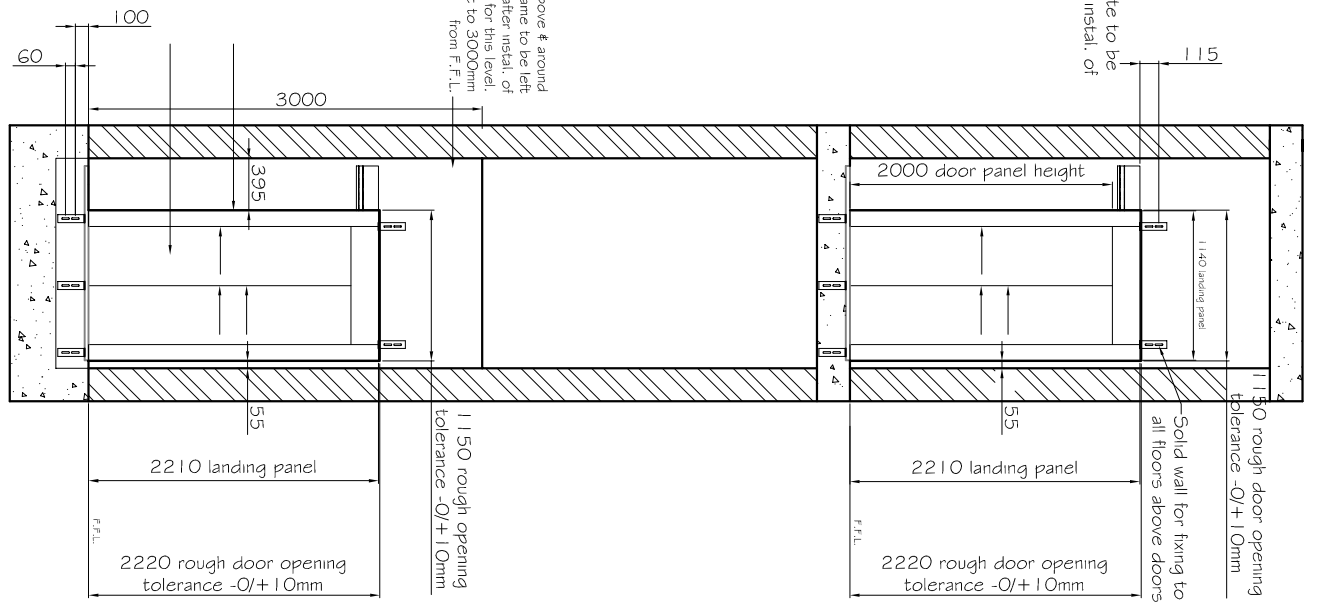
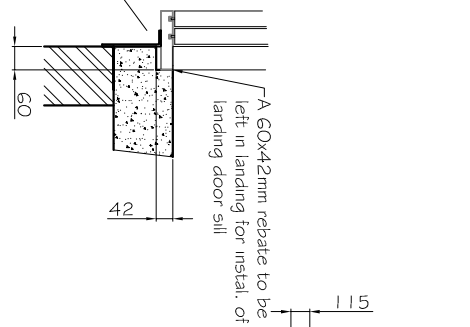
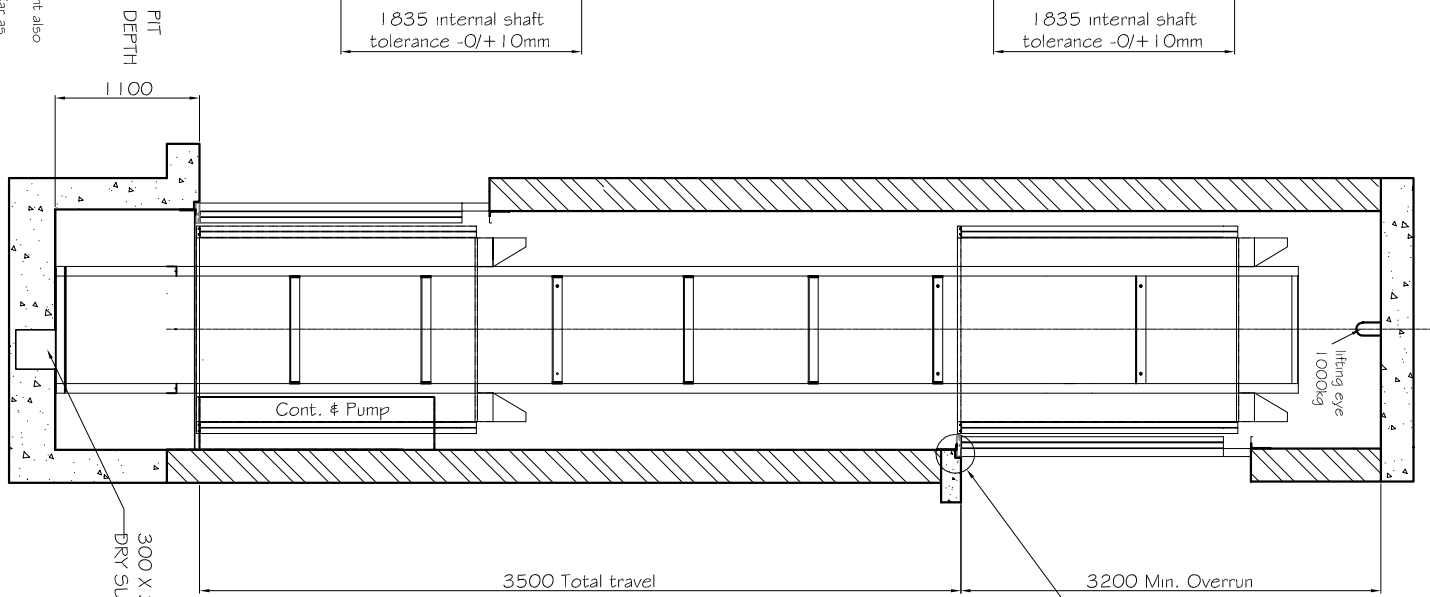
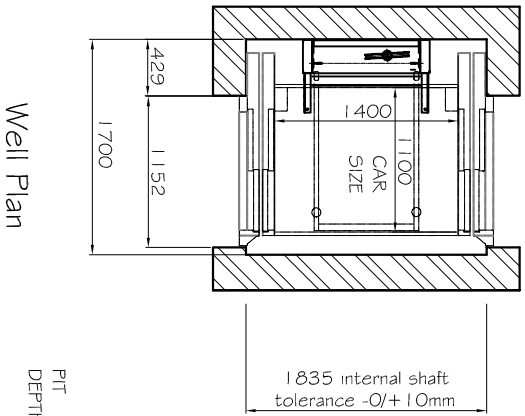


REACTIONS	
STATIC	DYNAMIC
P1 1000 kg	
P2 900 kg	1800 kg
P3 450 kg	



Infill above & around doorframe to be left out until after instal. of lift car. Only for this level. At a height to 3000mm from F.F.L.

As drawn for L.H. tower. R.H. tower arrangement also available  
Doors as drawn are opening from right to left. Car as drawn is single entry thru entry car also available.

Scale	N.T.S.	Layout Drawing for	HARWEL LIFTS PTY LTD
Date	6/07/04	Original Issue	PART 3 HYDRAULIC
Issue	A	Remarks	LIFT B.C.A. COMPLIANT
			Drawing No
			NO110 - A