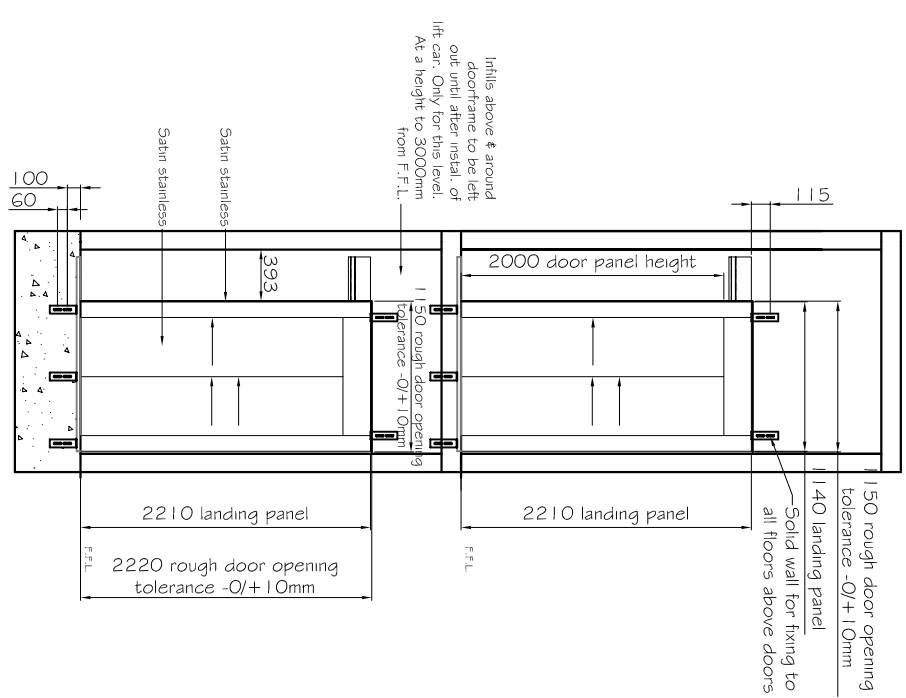
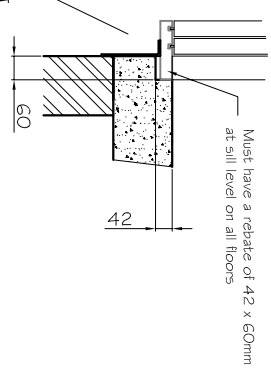
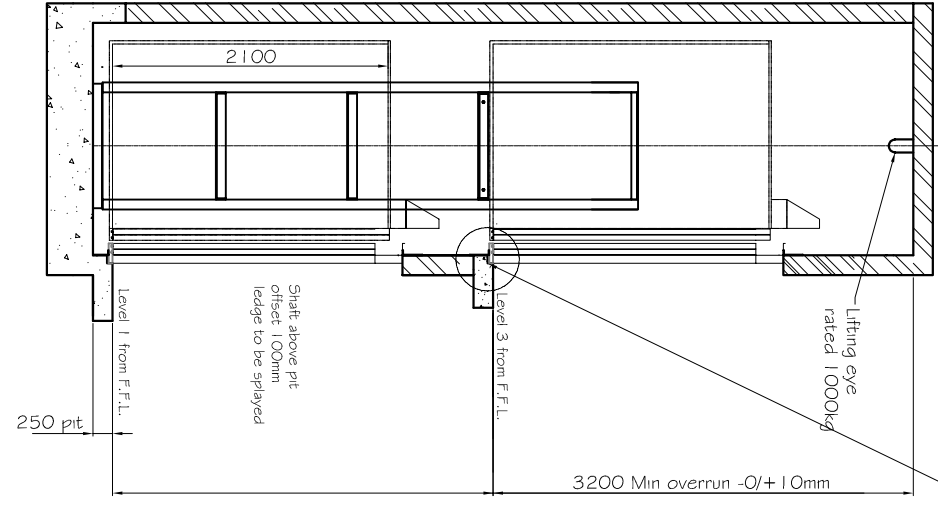
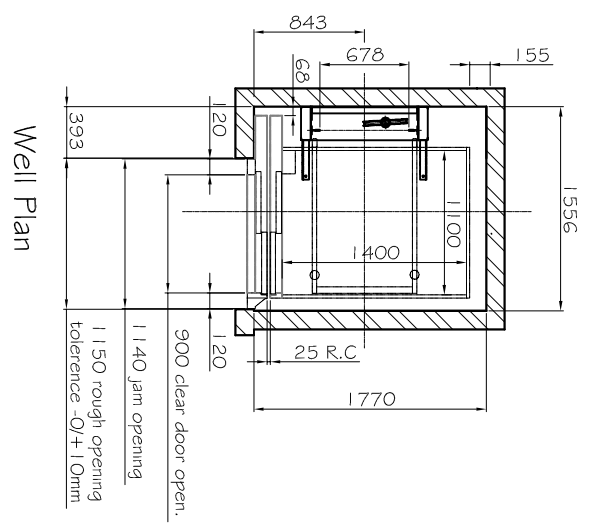


	REACTIONS	
	STATIC	DYNAMIC
P1	1000 kg	
P2	900 kg	1800 kg
P3	450 kg	



Scale: N.T.S.		Title: Lifts for people with limited mobility	
Date: 29/04	Original issue	29/04	Remarks
Issue: 0			

HARWEL LIFTS PTY LTD		Drawing No	
Layout Drawing for PT 16 2FLOOR LIFT		Date: 1/20/03	
Drawn by: K.S.		Checked: Approved:	