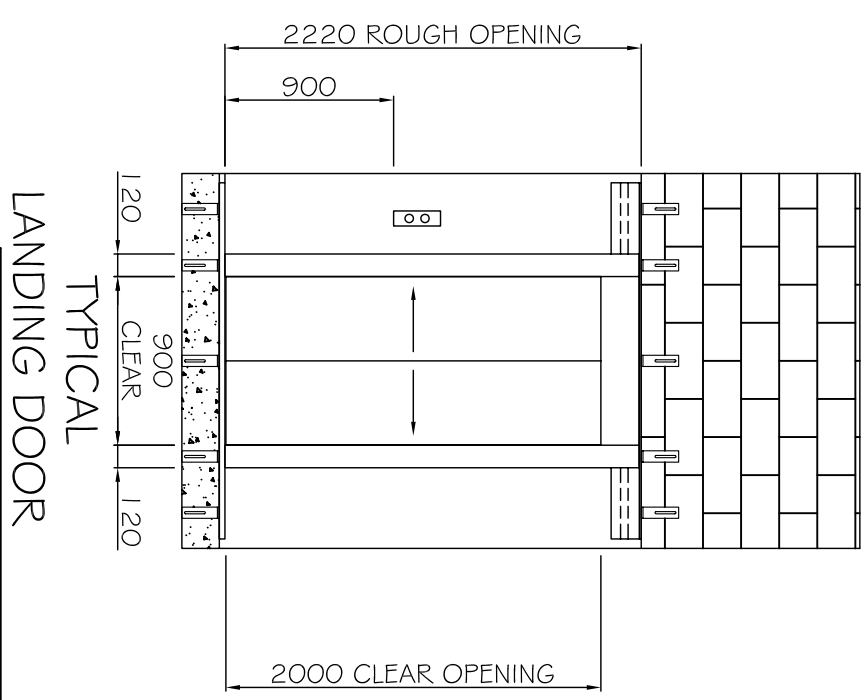
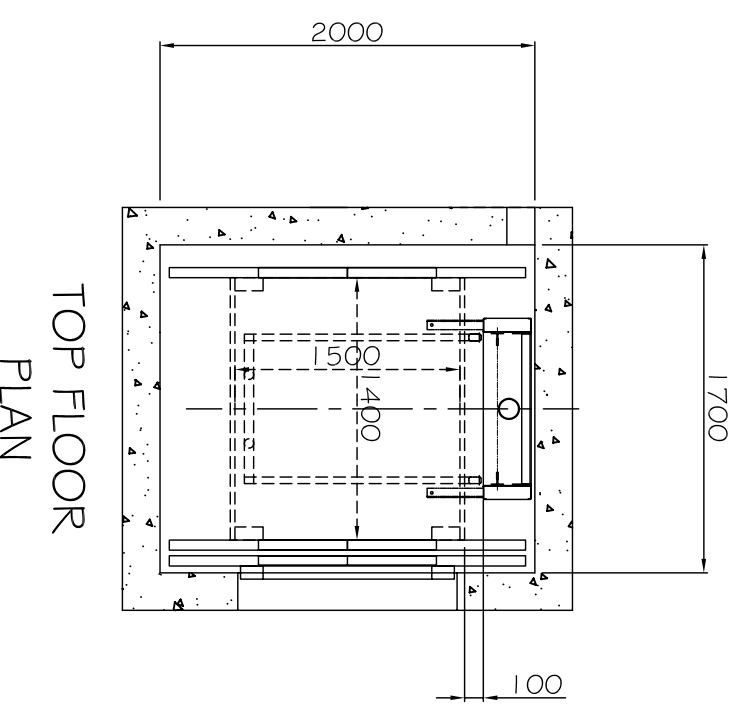
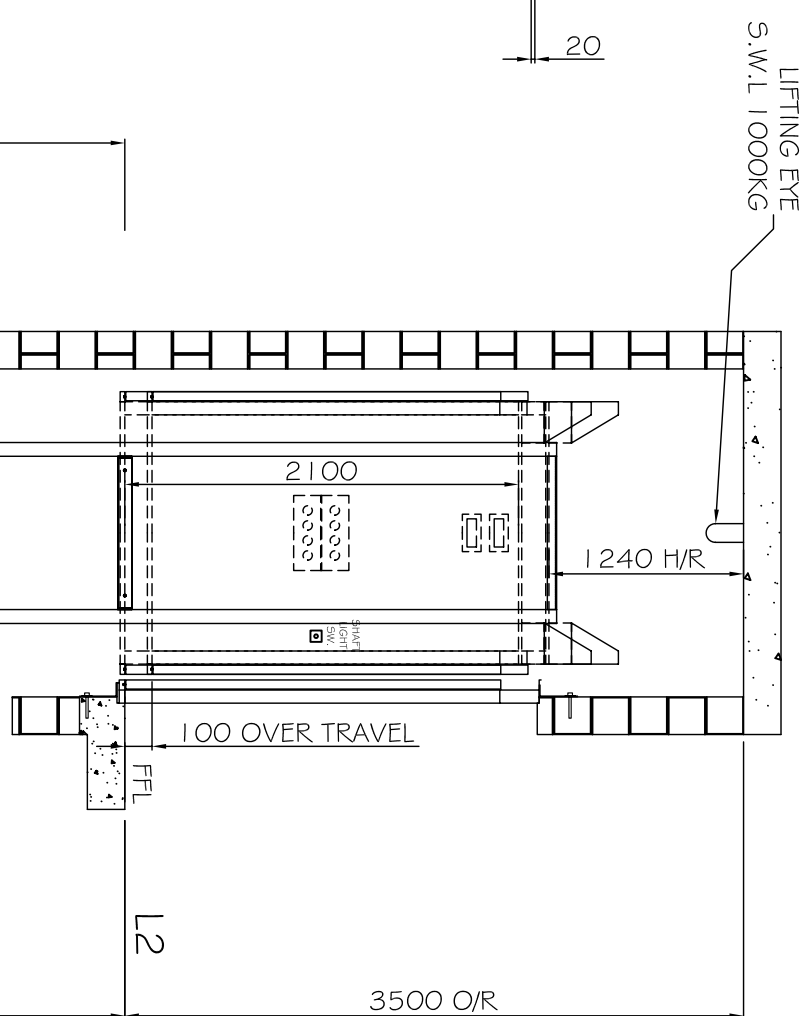
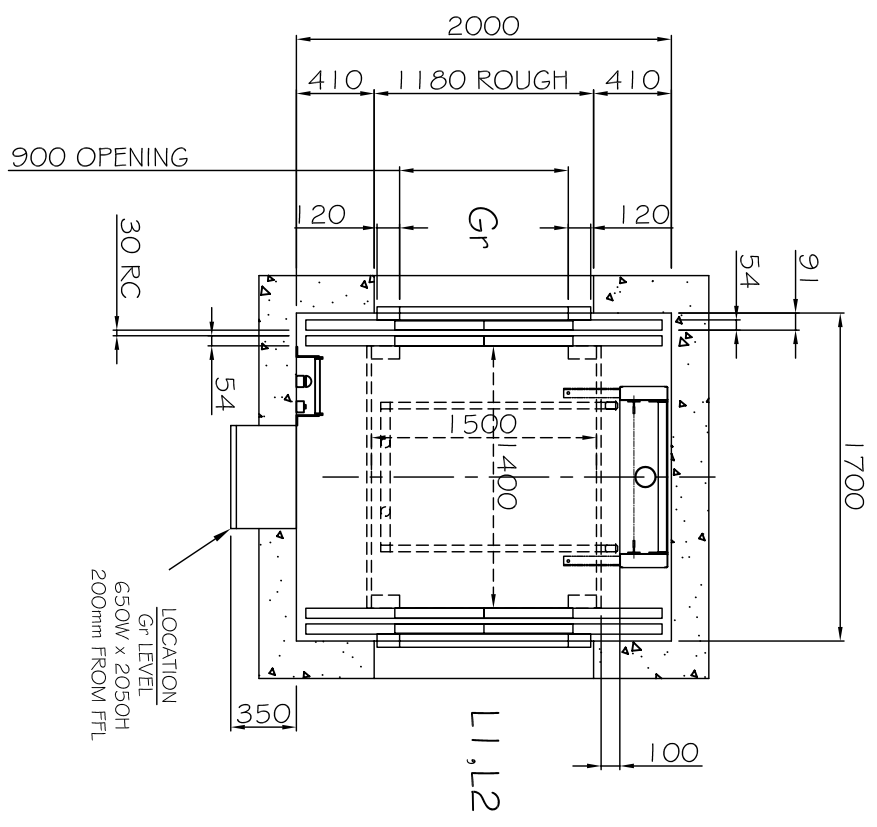


REACTIONS	
STATIC	DYNAMIC
P1	1500 kg
P2	1500 kg
P3	800kg



**SHAFT ELEVATION**

**WELL PLAN**

**TOP FLOOR PLAN**

Scale	N.T.S.
Date	29/10/07
Issue	1

HARWEL LIFTS PTY LTD  
 Layout Drawing for  
 2 STAGE DIR. HYDRO 0.4m/s  
 LOAD: 884kg / 13 PERSONS  
 Part 3/JS 3

Date: 29/10/07 Drawn by: K55 Checked:HJ5 Approved:45