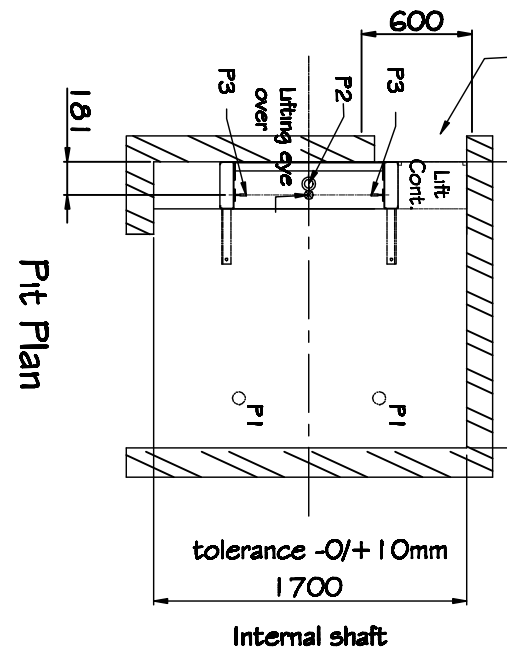
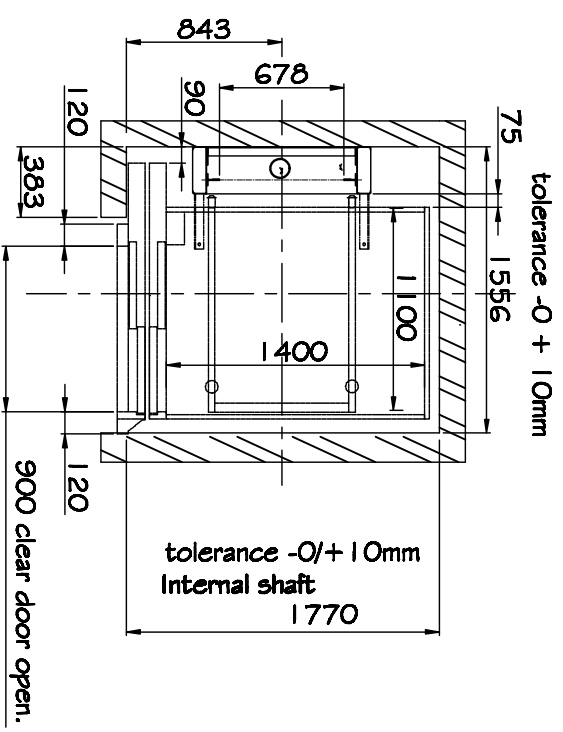


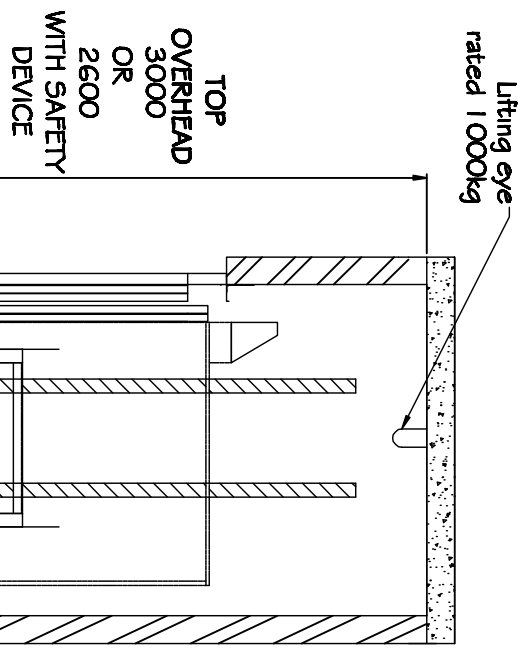
tolerance -0 + 10mm
1556
Controller and Pump
Access door (mm 600 x 2000 high), phone
line and 20 amp 3 phase supply by others



REACTIONS	
STATIC	DYNAMIC
P1	1000 kg
P2	900 kg
P3	450 kg
	1800 kg

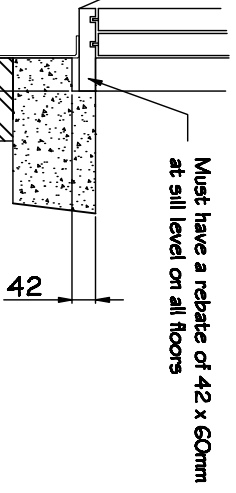
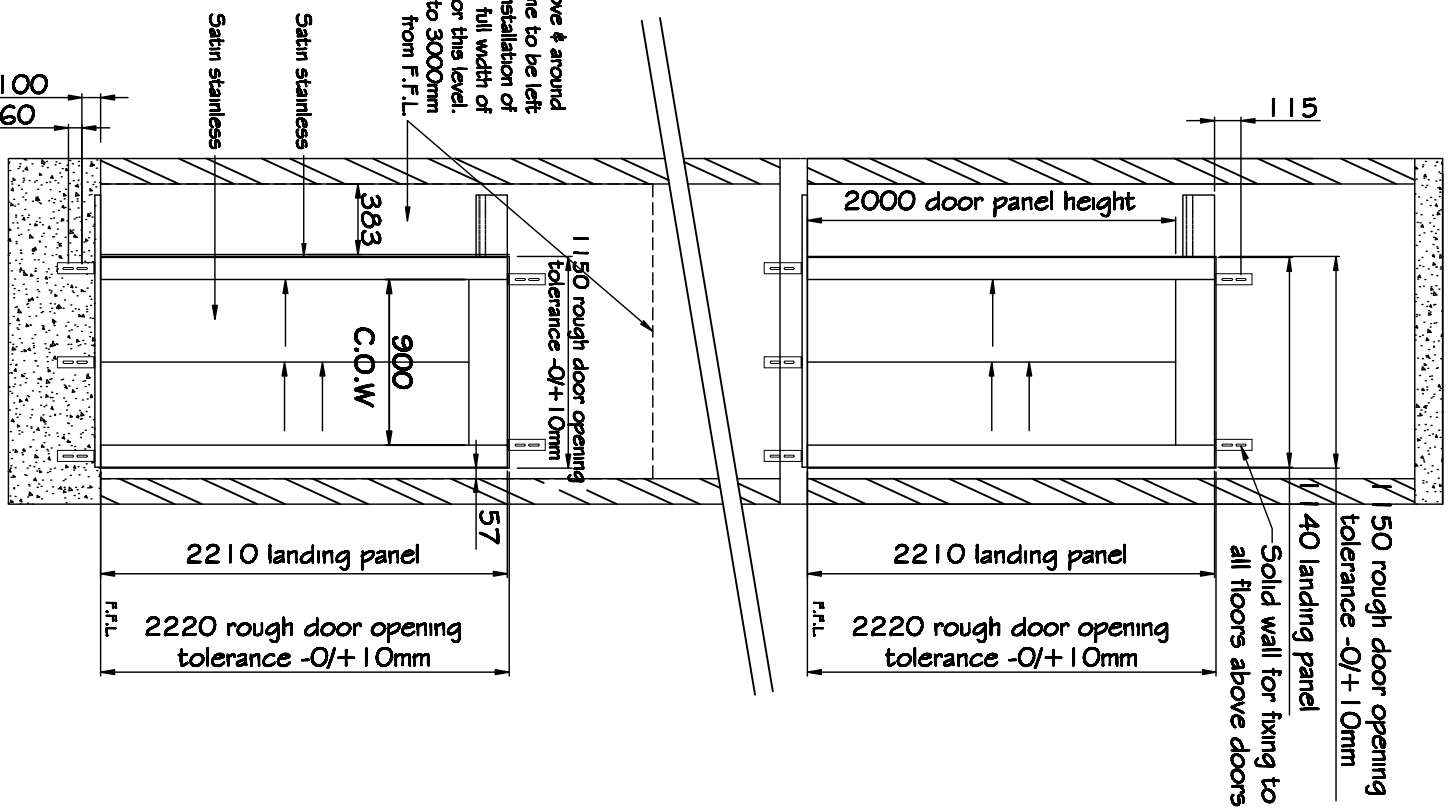


Well Plan



PIT DEPTH 250
Level 1 from F.F.L.
DOOR C.O.H. 2000
75x75x4 rns
FIXED TO PIT FLOOR
TO BEAM AT 1st FLOOR
LEVEL AND BEAM AT TOP
Pit should extend to
solid earth
shaft

NOTE: Rough opening above & around doorframe to be left out until after installation of lift car. At full width of shaft. Only for this level. At a height to 3000mm from F.F.L.



Must have a rebate of 42 x 60mm at sill level on all floors

Scale	N.T.S.
Date	10/11/10
Issue	0
Original issue	Remarks

HARWEL LIFTS PTY LTD

Layout Drawing for
2FL PIT 6 DIRECT ACTING
Hyd BCA Compliant Lift

Drawing No
AO1