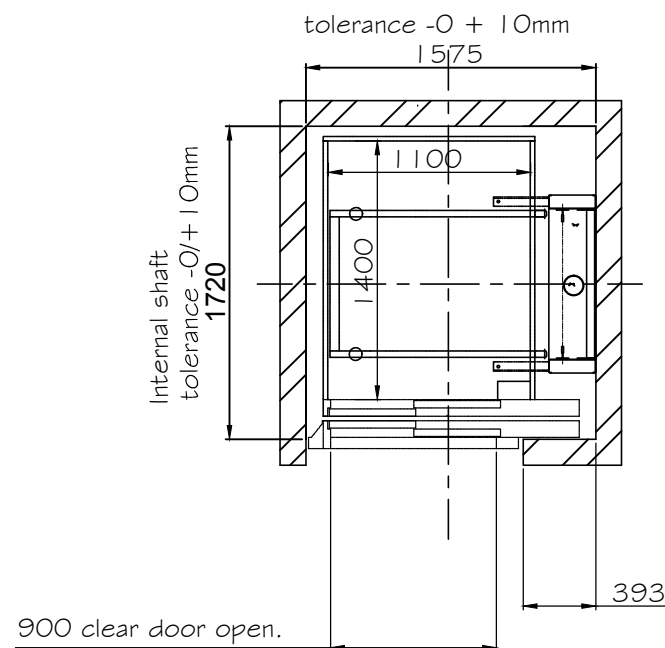
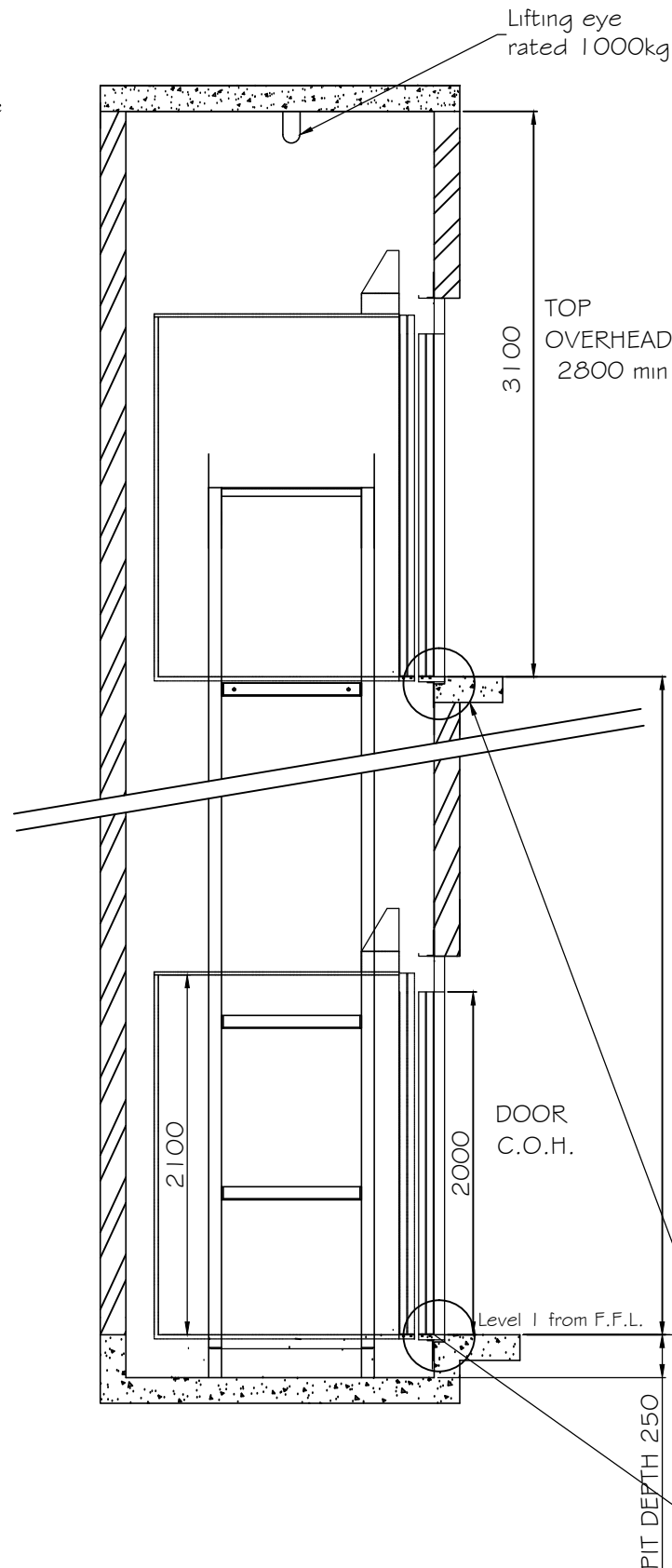


Pit Plan

	REACTIONS	
	STATIC	DYNAMIC
P1	1000 kg	
P2	900 kg	1800 kg
P3	450 kg	

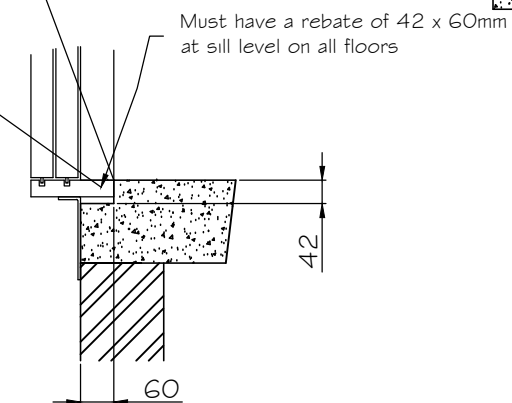
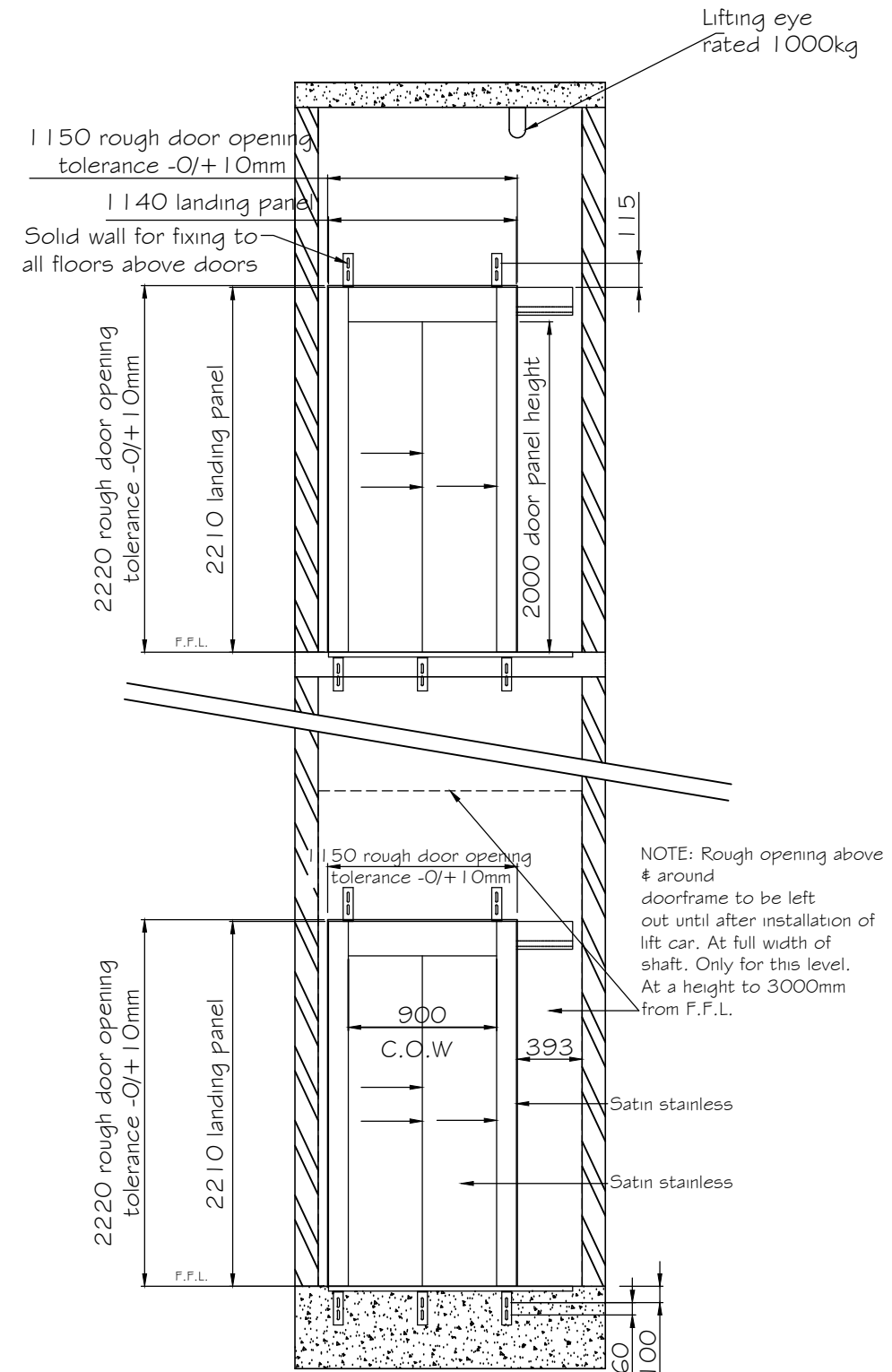


Well Plan



Section thru shaft

3400  
TRAVEL  
T.B.C.



HARWEL LIFTS PTY LTD		
Layout Drawing for Model HWLR Passenger Lift shaft by others		Drawing No NO117-0
Scale	N.T.S.	
Date	22/01/16	Original issue
Issue	0	Remarks