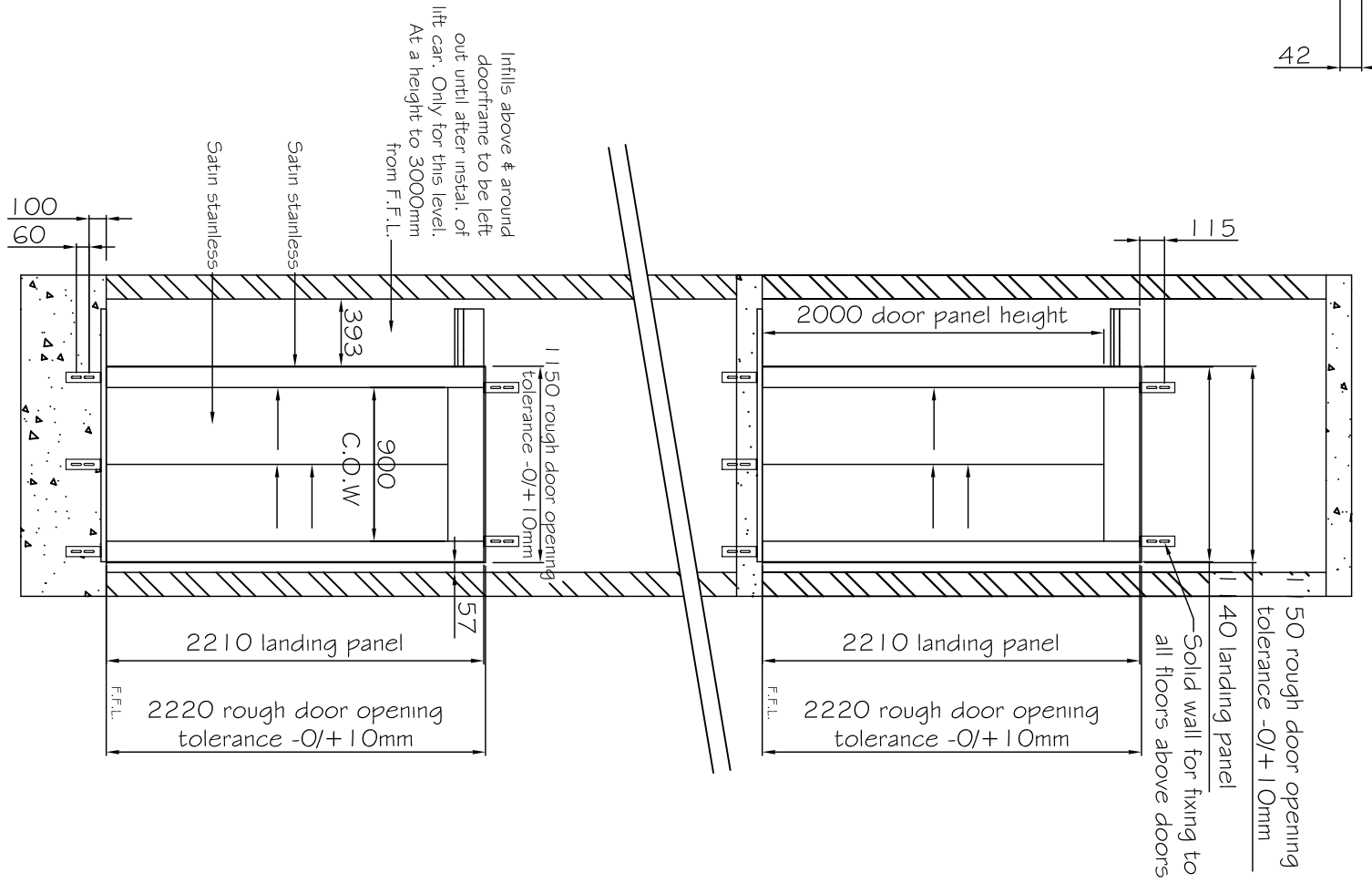
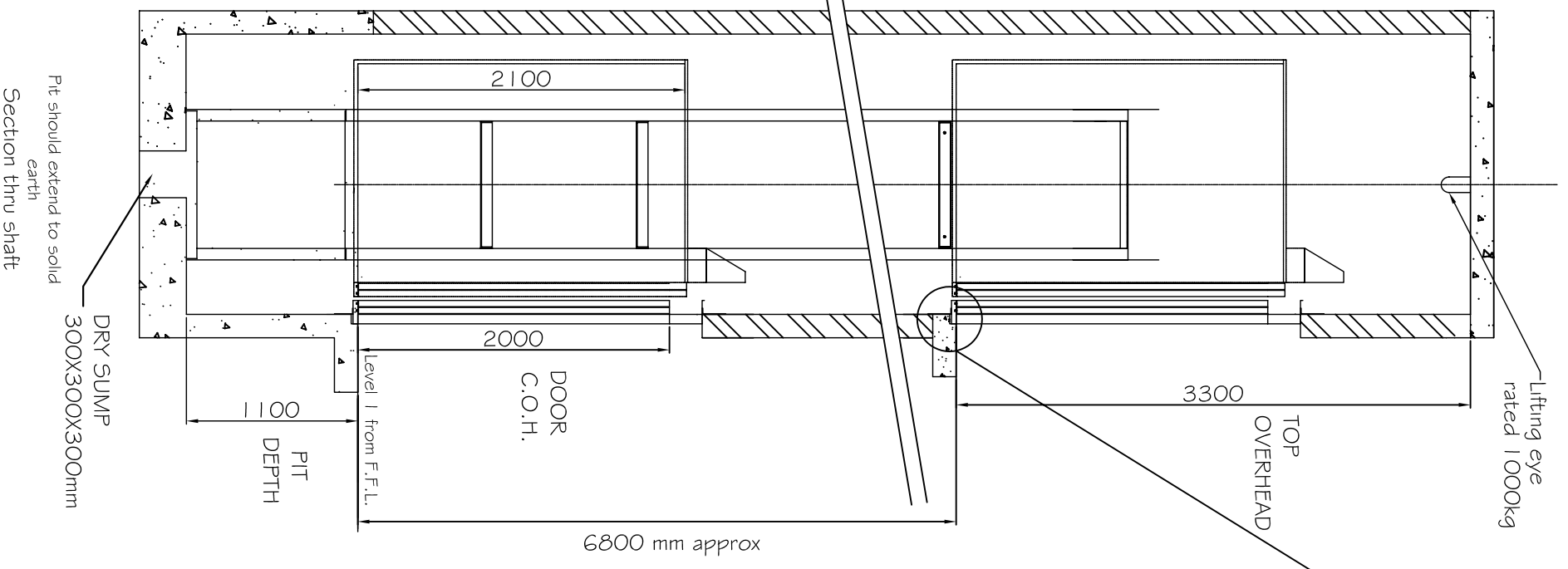
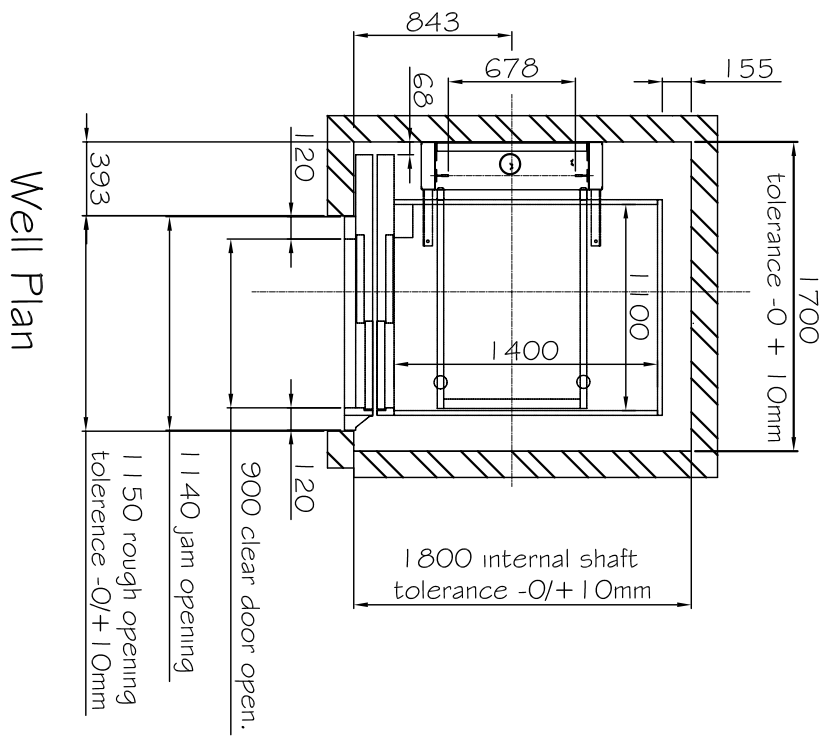


| REACTIONS  |         |
|------------|---------|
| STATIC     | DYNAMIC |
| P1 1000 kg |         |
| P2 900 kg  | 1800 kg |
| P3 450 kg  |         |



|         |                |
|---------|----------------|
| Scale   | N.T.S.         |
| Date    | 12/9/04        |
| Issue   | 0              |
| Remarks | Original issue |

**HARWEL LIFTS**

Layout Drawing for  
Pt 3 3 Floor Direct Acting  
Hyd BCA Compliant Lift

Drawing No  
NO116-0

Date : 12/09/03 Drawn by: K.S. Checked: Approved: