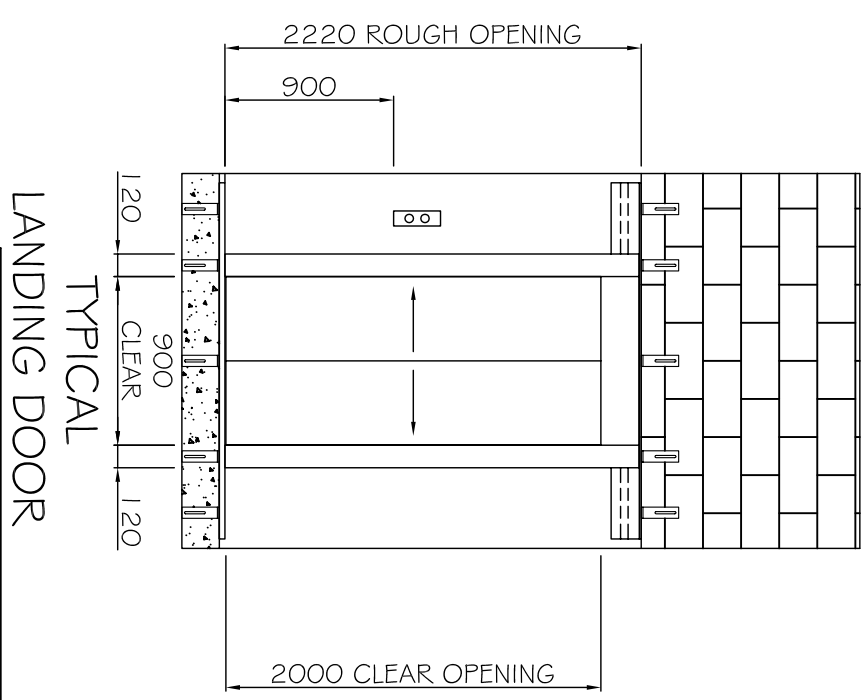
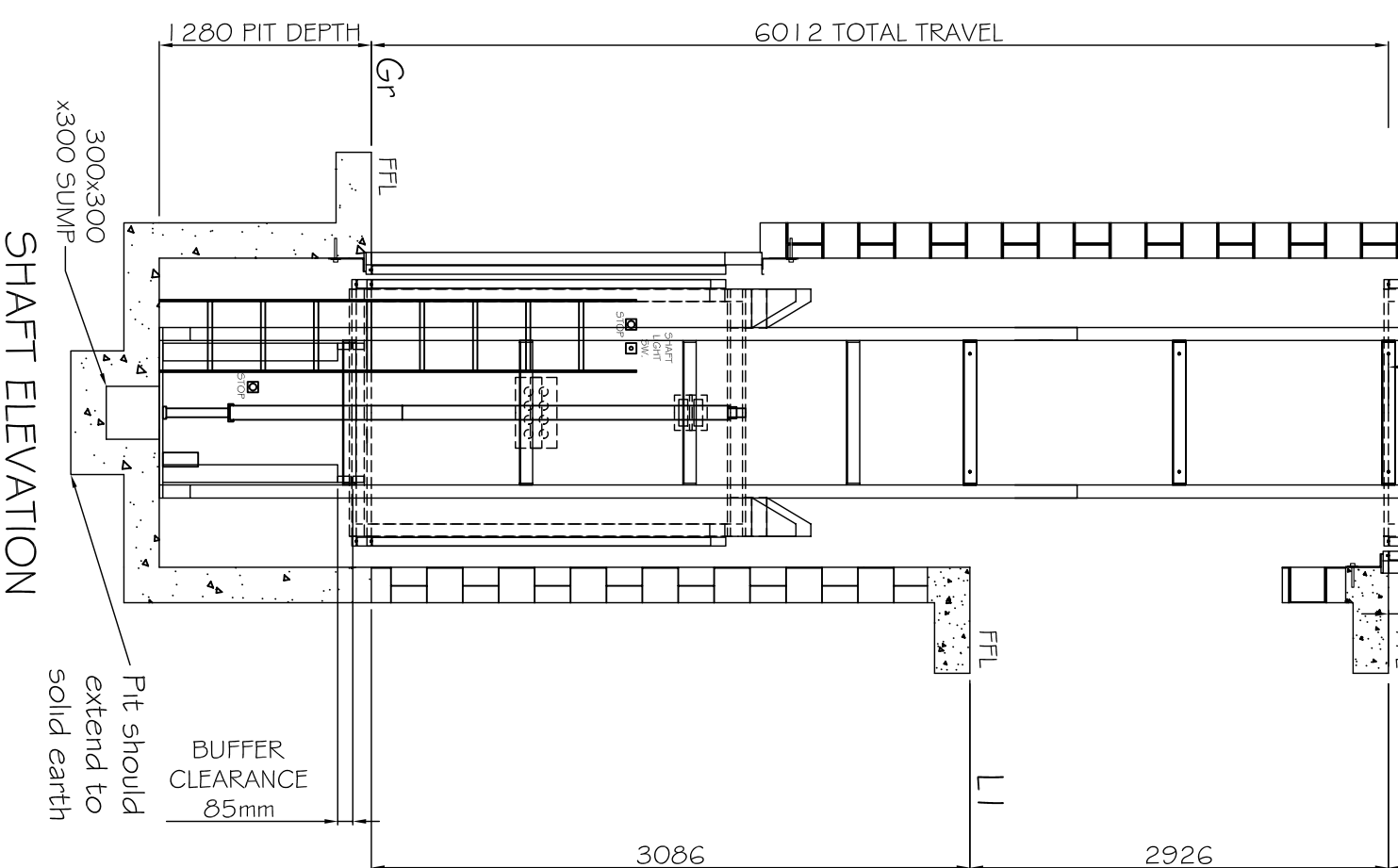
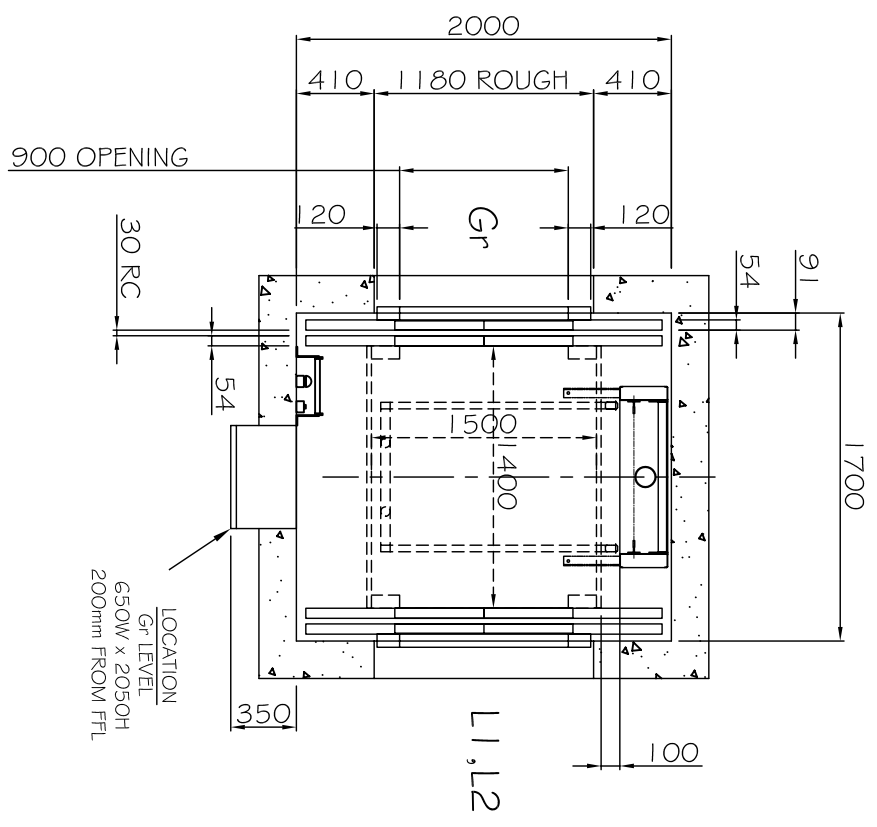
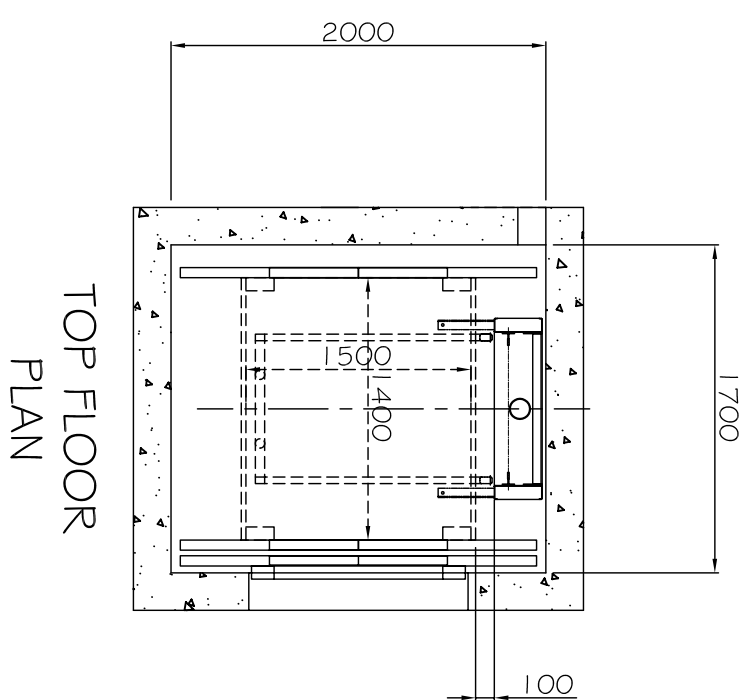
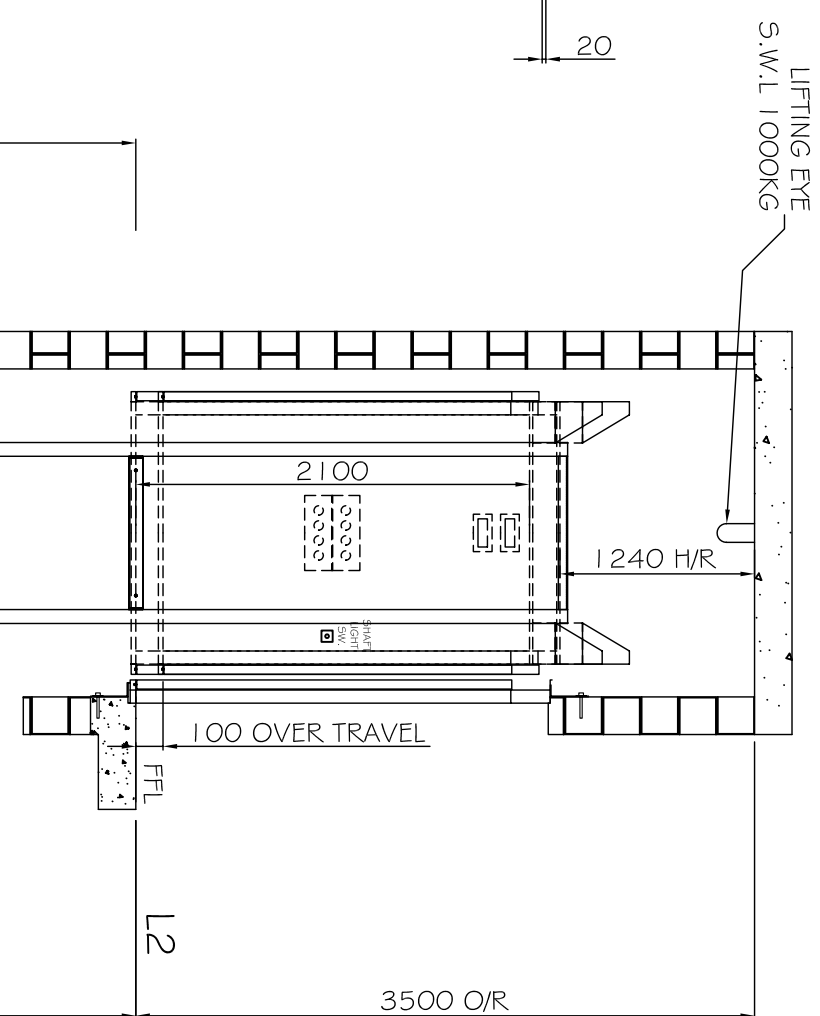


REACTIONS	
STATIC	DYNAMIC
P1	1500 kg
P2	1500 kg
P3	800kg



Scale	N.T.S.	2 STAGE DIR. HYDRO 0.4m/s	Layout Drawing for	Drawing No
Date	29/10/07	LOAD: 884kg / 13 PERSONS		PART 3/US 3
Issue	1		Remarks	Date : 29/10/07 Drawn by: K55 Checked: HUS Approved: JS